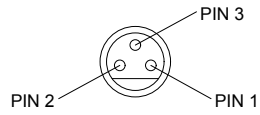


VIEW A

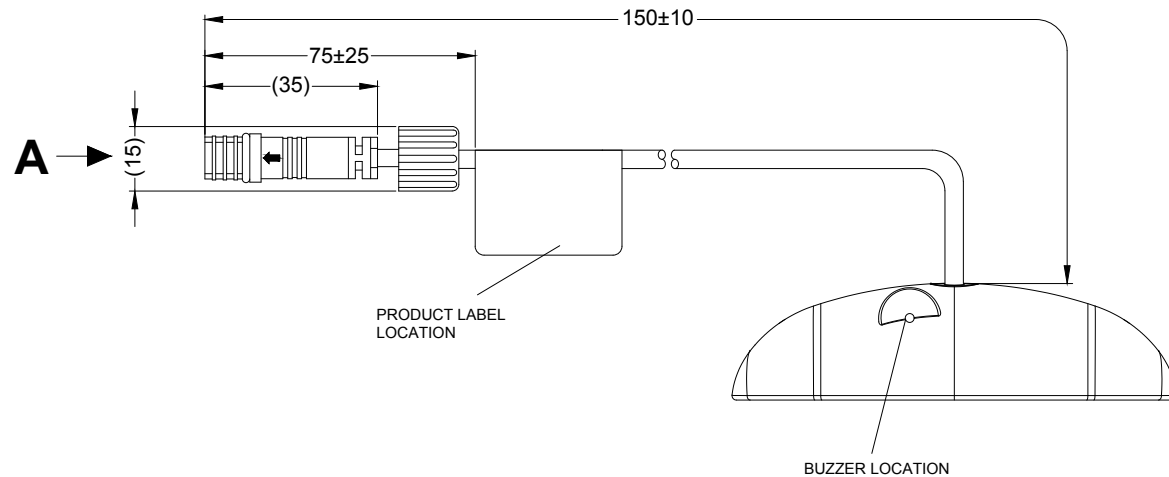
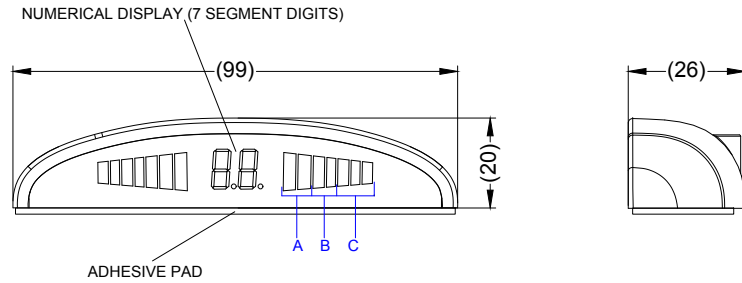


3 PIN FEMALE MATING FACE

PIN #	WIRE COLOUR	DESCRIPTION
1	BLACK	GND
2	RED	BUZZER PWR
3	WHITE	BUZZER SIGNAL

DISPLAY PROPERTIES

SEGMENT	COLOUR	DETECTION ZONE	AUDIO	ILLUMINATED ON DETECTION
A	RED	INNER	CONSTANT TONE	A,B,C
B	AMBER	MIDDLE	4 bps	B,C
C	GREEN	OUTER	1 bps	C



- NOTES:**
- SOFTWARE VERSION: DIC-30017-00-3.HEX $\triangle R3$
 - ALL AUDIBLE WARNINGS ARE MEASURED IN BEEPS PER SECOND (bps).
 - VISUAL WARNING IS NUMERICAL AND IN METRES WITH COLOURED SEGMENTS LEFT AND RIGHT.
 - POWER ON IS INDICATED BY TWO DASHES (- -) ON THE NUMERIC DISPLAY(NO START UP BEEP).
 - IT IS NOT POSSIBLE TO DISABLE AUDIBLE BUZZER.
 - BUZZER VOLUME IS FIXED AT 76±5dB @ 30CM.
 - SELF ADHESIVE PAD IS STUCK ON THE BOTTOM FOR FIXING TO SMOOTH SURFACE.
 - BLACK TEXTURED POLY CARBONATE PLASTIC.
 - REFER TO DRAWING BE-001561-XX-11 FOR PRODUCT LABEL DETAIL.
 - NUMERIC DISPLAY SHOWS DISTANCE OF OBJECT IN A SINGLE INCREMENT OF 0.5 FROM 0.0-0.5, AND THEN INCREMENTS OF 0.1 FROM 0.5-2.5 WHEN PAIRED WITH AN ECU IN ITS DEFAULT SETTING. $\triangle R3$

PROPRIETARY NOTICE
 THIS DESIGN AND TECHNICAL INFORMATION APPEARING ON THIS DRAWING IS THE PROPERTY OF BRIGADE ELECTRONICS, AND IS DISCLOSED IN CONFIDENCE. IT IS NOT TO BE COPIED, REPRODUCED, REVEALED TO OR EXPROPRIATED BY OTHERS, EITHER IN WHOLE OR IN PART WITHOUT THE EXPRESS WRITTEN CONSENT OF BRIGADE ELECTRONICS.

Revision Notes				
R1 - DISPLAY PROPERTIES CHANGE. BUZZER dB LEVEL CHANGE.				
APA: -	Drawn: -	Checked:-	Approved:-	Date: -
R2 - DISPLAY SOFTWARE DIC-30017-00-1 UPDATED TO DIC-30017-00-2 TO ALLOW BUZZER MUTING AS PER CR-A609.				
APA: ALLEN YAO	Drawn: M.BUTLER	Checked: W.BEAZLEY	Approved: B.CHILDS	Date: 29/06/18
R3 - DISPLAY FIRMWARE UPDATED AS PER CR-A725 FOR SS-4200W COMPATABILITY, NOTE ON DISPLAY INCREMENTS INCLUDED.				
APA: Allen Yao	Drawn:S.GOVENDER	Checked:R. PENTLEY	Approved:L. Pillay	Date: 23/12/2019



Assembly Pl Approval LEE Q.G (18/05/12)	Approved by S.MATTHEWS	Checked by J.NEWMAN	Drawn by M.POTTER
Angle of Projection 	Units mm	Scale N/A	Released 20/02/12
	Status RELEASED	Assembly Ref UDS-001DP	
	Part No 3749	BE-001658-03-11	